

- Alloy steel construction, hermetically welded, oil proof, waterproof, anti-corrosive gas and medium making it lightning protected in all kinds of environments.
- Column structure , anti-reversal design, good self-aligning ability, suitable for electronic truck scales, automobile testing facilities, hopper scales and other electronic weighing devices.

Features

- High accuracy
- Alloy steel construction
- Complete hermetic sealing
- Protection IP 68
- Easy installation and reliable performance

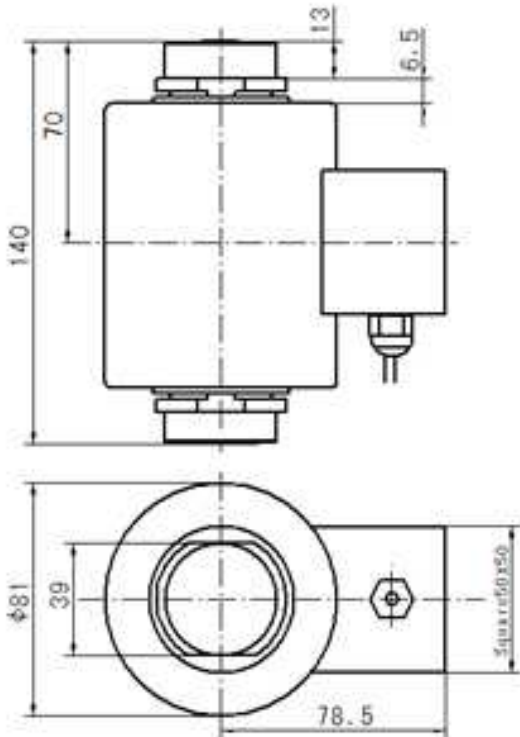


Capacity	Accuracy	Part-Number
30 t	C3	HM14L-C3-30t-15B-W1
40 t	C3	HM14L-C3-40t-15B-W1

Specification:

Capacity	T	30 / 40
Maximum number of verification intervals	N max	3000
Minimum load cell verification interval	V min	Emax/15000
Combined error	%FS	≤±0.020
Creep	(%FS/30min)	≤±0.016
Output sensitivity	(mv/v)	2.0±0.002
Input resistance	(Ω)	1150±50
Output resistance	(Ω)	1000±3.5
Insulation resistance	(MΩ)	≥5000(50VDC)
Zero balance	(%FS)	1
Temperature compensated	(°C)	-10~+40
Temperature effect on zero	%FS/10°C	≤±0.0009
Temperature effect on sensitivity	%FS/10°C	≤±0.0010
Temperature allowed	(°C)	-35~+65
Excitation, Recommended	(V)	5~12(DC)
Excitation, Max	(V)	18(DC)
Safe overload	(%FS)	150
Ultimate overload	(%FS)	300

Outline Dimensions in mm (Inch)



Wiring:

Shielded , 4 conductor cable

Standard cable length: 15m

