



## FEATURES

- Alloy steel, nickel-plated, single point bending beam, hermetically welded, tension or compression.
- Ingress protection (according to EN 60529): IP68
- Suitable for belt scales, hopper scales and other electronic weighing devices.



## AVAILABLE MODELS

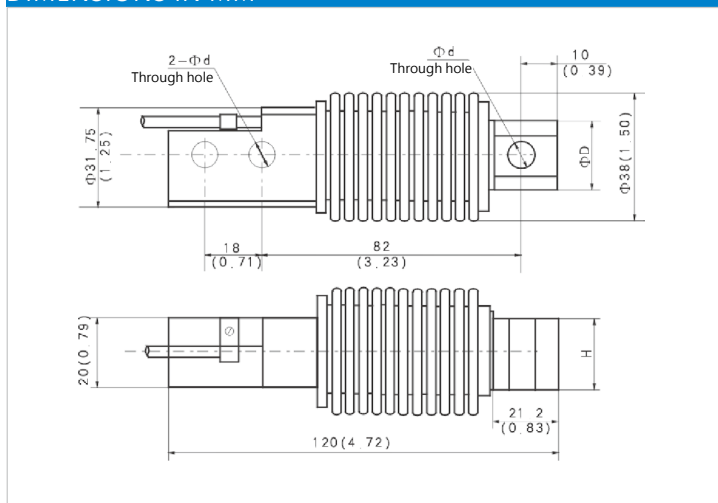
Capacity	Accuracy	Full article description
xxkg	C3	HM11-C3-xxkg-3B
xxkg	C3	HM11-C3-xxkg-6B6



## SPECIFICATION

Maximum capacity (E <sub>max</sub> )	kg	5/10/20/30/50/75/100/150/200/250/300/350/400/500
Accuracy class		C3
Maximum number of load cell intervals (nLC)		3000
Ratio of minimum LC verification interval $Y = E_{max} / V_{min}$		10000
Combined error	%FS	±0.020
Creep	%FS/30min	±0.016
Temperature effect on sensitivity	%FS/10°C	±0.011
Temperature effect on zero	%FS/10°C	±0.015
Output sensitivity (=FS)	mV/V	2.0±0.02
Input resistance	Ω	460±50
Output resistance	Ω	350±3.5
Insulation resistance	MΩ	≥ 5000 (50VDC)
Zero balance	%FS	±1.0
Compensated temperature	°C	-10~+40
Operating temperature	°C	-35~+65
Excitation, recommended voltage	V	5~12 (DC)
Excitation maximum	V	18 (DC)
Safe overload	%FS	150
Ultimate overload	%FS	300
ATEX Class (Optional)		II1G Ex ia IIC T4   II1D Ex iaD20 T73°C   II3G Ex nL II C T4

## DIMENSIONS IN MM



Capacity(kg)	5,10,20,30,50,75,100,150,200,250	300,350,400,500
Dimension		
d	8.2 (0.32)	10.3 (0.41)
D	23 (0.91)	24 (0.94)
H	20 (0.79)	19 (0.75)

## WIRING

- Both 4 and 6 conductor wires are available on customer's requirements.
- Cable diameter:  $\Phi 5 \pm 0.2\text{mm}$
- Standard length for 4 conductor cable: 3m
- Standard length for 6 conductor cable: 6m
- Note: Connection of 6 conductor wires are as above. For 4 conductor wires the yellow and blue sense wires are removed.