

Type HM14H1 Load Cell + Mounting Kit



Short Description



- Nickel plated alloy steel IP68 column load cell
- Hermetically sealed
- Robust and smart design without semi-conductors
- High accuracy
- Set contains HM14H1 Load cell with HY-14-146-W1 mounting assembly



Test certificate no. TC8228 Revision 0
C of C no R60/2000-NL1-12.46

Available Models

Capacity	Full Article Description	Article Number
30t	HM14H1-C3-30t-20B-W1 + HY-14-146-W1	11406050
40t	HM14H1-C3-40t-20B-W1 + HY-14-146-W1	11406100
50t	HM14H1-C3-50t-20B-W1 + HY-14-146-W1	11406150

Specifications and dimensions are subject to change without notice and do not constitute any liability whatsoever.

Technical Specifications HM14H1

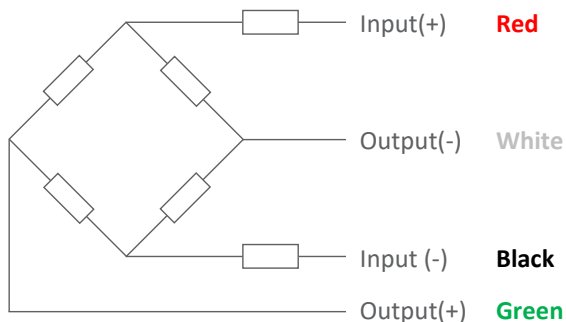
Accuracy Class		OIML R60 C3
Output Sensitivity (= FS)	mV/V	2.0 ± 0.002
Maximum Capacity (E _{max})	t	30, 40, 50
Max. Number of Load Cell Intervals	n _{LC}	3000
Ratio of min. LC Verification Interval	$Y = E_{max} / v_{min}$	10000
Combined Error	%FS	≤± 0.02
Creep Error (30 minutes)	%FS	≤± 0.016
Temperature Effect on Zero (ZTC)	%FS/10°C	≤± 0.02
Temperature Effect on Sensitivity (STC)	%FS/10°C	≤± 0.02
Zero Balance	%FS	≤± 1.0
Safe Overload	%FS	150
Ultimate Overload	%FS	300
Excitation, Recommended Voltage	V	5 ~ 12
Excitation, Maximum Voltage	V	18
Input Resistance	Ω	700 ± 7
Output Resistance	Ω	703 ± 4
Insulation Resistance (50V)	MΩ	≥5000
Compensated Temperature	°C	-10 ~ + 40
Operating Temperature	°C	-35 ~ + 65
Storage Temperature	°C	-40 ~ + 70
Load Cell Weight	kg	~7.1
Element Material		Nickel Plated Alloy Steel
Ingress Protection (acc. to EN 60529)		IP68

Wiring

Features:

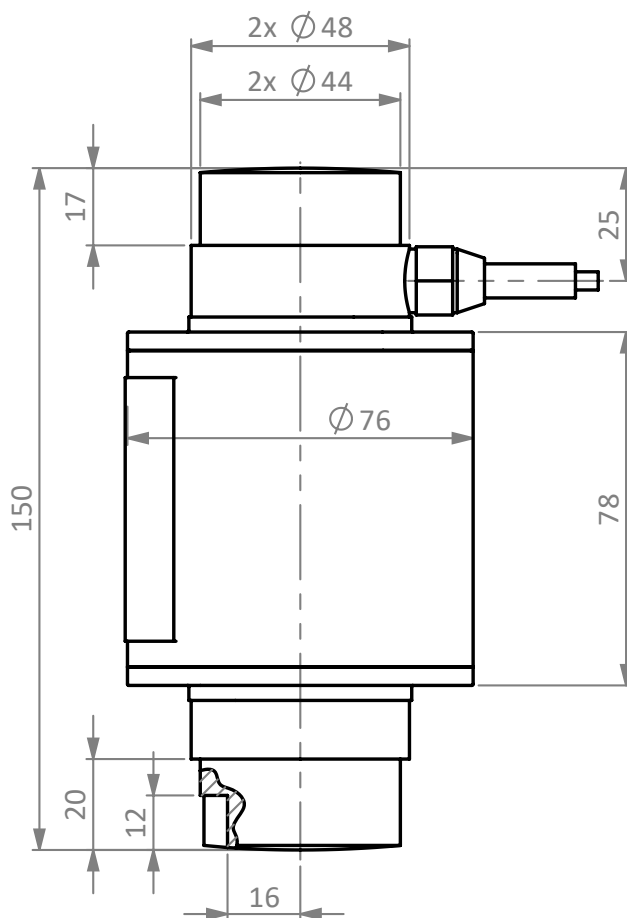
Cable type: Shielded, 4 conductor cable , conductor AWG 26
 Cable diameter: Ø 5.0mm
 Cable length: 20m
 Cable jacket: PVC
 Shield not connected to element

4-Wire Connection Diagram

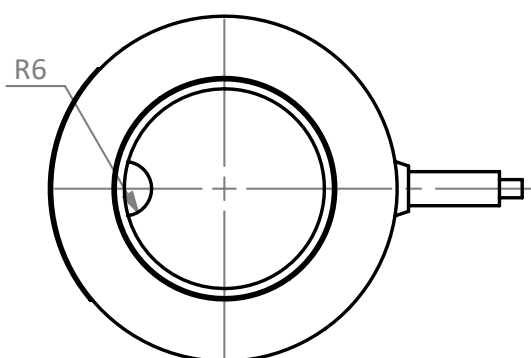


Dimensions in mm

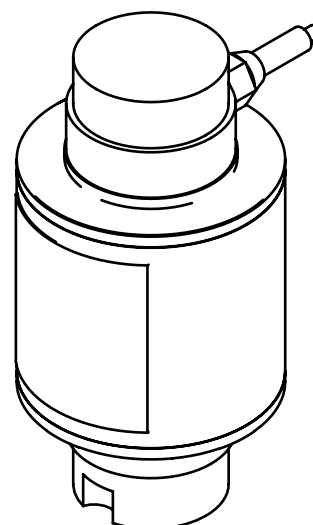
Side View



Bottom View

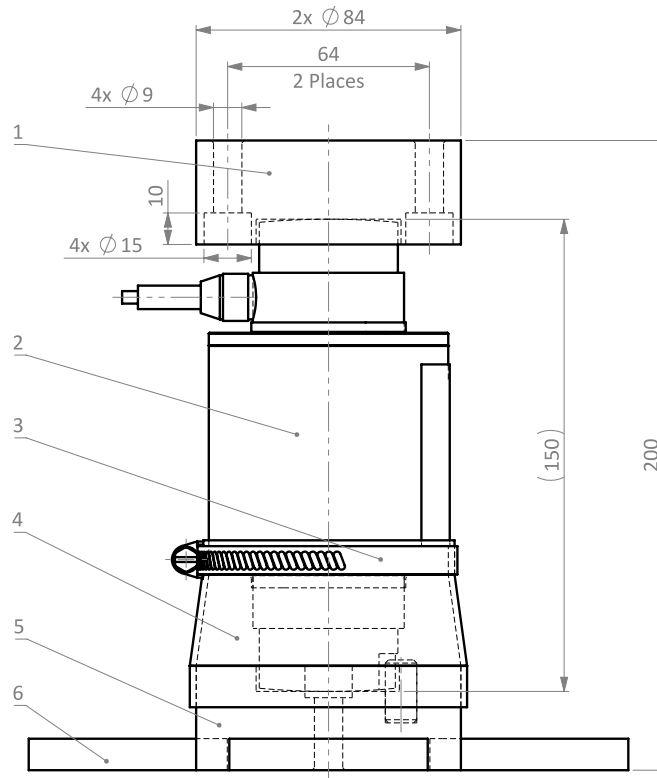


Isometric View

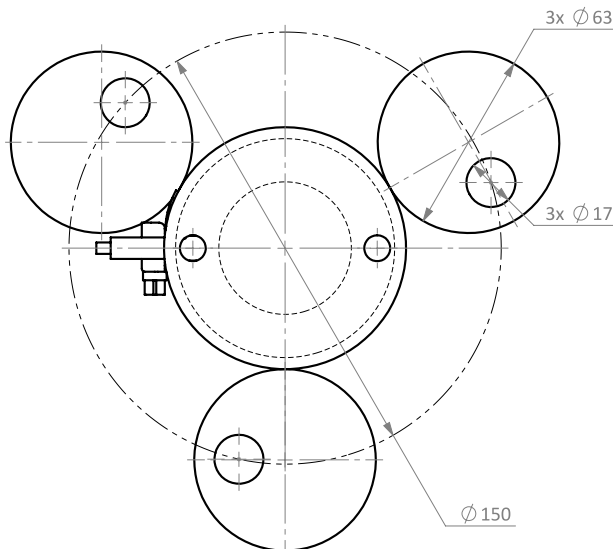


Rocker Support HY-14-146 Dimensions in mm

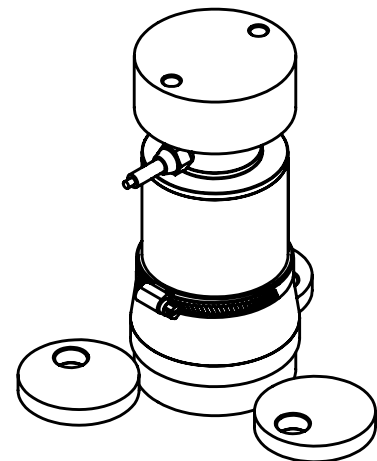
Side View



Top View



Isometric View



Part List

Part No.	1	2	3	4	5	6
Name	Upper Rocker	Load Cell	Tube Clip	Dust Cover	Bottom Rocker	Eccentric Washers
Quantity	1	1	1	1	1	3

Specifications and dimensions are subject to change without notice and do not constitute any liability whatsoever.