



Designed for Routine Weighing Applications in Your Workplace

Offering accuracy and repeatability in essential weighing applications in laboratory, industrial and education settings, PR Series Analytical and Precision Balances deliver competitive performance at an economical price. Featuring RS232 connectivity for easy communication, and a backlit display and a simple interface for uncomplicated operation, the PR is perfectly designed for your workplace.

Standard Features:

- **Basic Functionality for Routine Weighing Applications**

The PR is equipped with three essential weighing modes, RS232 connectivity for data transfer and storage, and internal calibration, making it ideal for routine weighing applications.

- **Designed for Uncomplicated Operation with Easy-to-Use Display and Interface**

Equipped with an easy-to-read, bright backlit display and a simple user interface, the PR is incredibly easy to operate, with almost no training required.

- **Smart Design and Durable Construction**

The PR's small footprint saves desktop space while providing a large weighing surface. The PR is durably constructed, and features a stainless steel pan to withstand day-to-day use in the workplace.

PR Series Analytical Balances



Standard RS232 connectivity for easy data transfer.



A large, bright backlit display allows for easy viewing of results.



Durably constructed, and features a stainless steel pan to withstand day-to-day use.

Two adjustable feet allow user to level the balance.

Four mechanical keys enable easy operation of basic application modes.

InCal™ Model	PR124	PR224			
ExCal Model	PR124/E	PR224/E	PR223/E	PR423/E	PR523/E
Capacity (g)	120	220		420	520
Readability (g)	0.0001		0.001		
Repeatability (STDEV) (g)	0.0001		0.001		
Linearity (g)	0.0002		0.002		
Stabilization Time (s)	4		2		
Sensitivity Temperature Drift (PPM/K)	± 3		± 8	± 3	
Typical Minimum Weight USP (USP, K=2, U=0.10%)	200 mg		2 g		
Optimized Minimum Weight (USP, U=0.10%, K=2) SRP≤0.41d*	82 mg		0.82 g		
Units	Milligram, Gram, Kilogram, Ounce, Pound, Carat, Pennyweight, Ounce Troy, Newton, Grain				
Applications	Basic Weighing, Parts Counting, Percent Weighing				
Pan Size	90 mm		120 mm		
Tare Range	Full range				
Power Supply	Power Input: 100 – 240V ~ 200mA 50 – 60Hz 12 – 18VA Power Output: 12 VDC 0.5A				
Assembled Dimensions (W × D × H)	201 × 317 × 303 mm				
Communication	RS232				
Operating Temperature Range	10 °C to 30 °C				
Storage Temperature Range	Humidity: maximum relative humidity 80% for temperatures up to 30 °C, decreasing linearly to 50% relative humidity at 40 °C				
Net Weight	4.5 kg				
Shipping Weight	7 kg				
Shipping Dimensions (W × D × H)	507 × 387 × 531 mm				

*The value for SRP is the standard deviation for n replicate weighings (n≥10)

PR Series Precision Balances

Standard RS232 connectivity for easy data transfer.



A large, bright backlit display allows for easy viewing of results.



Two adjustable feet allow user to level the balance.

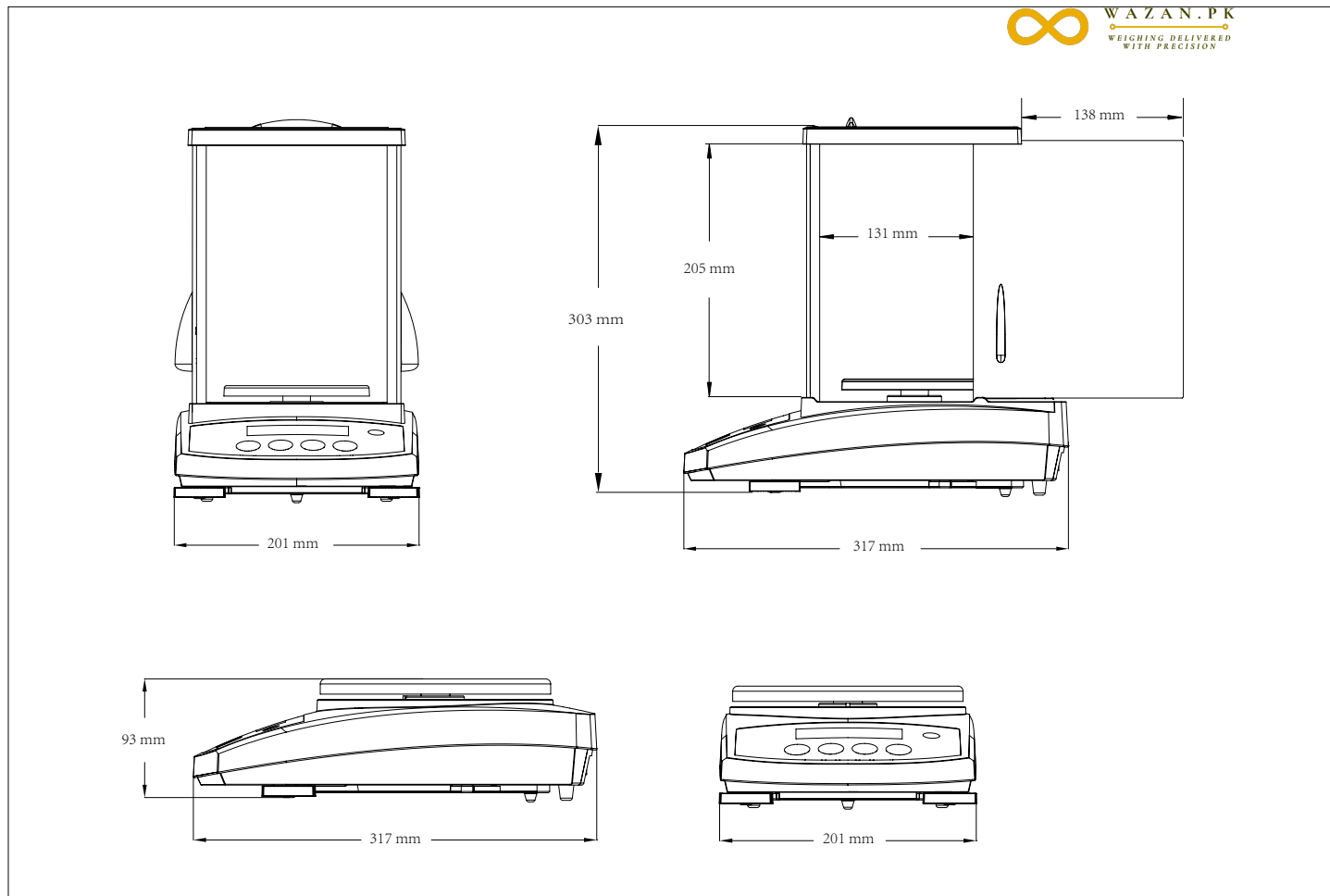
Four mechanical keys enable easy operation of basic application modes.

ExCal Model	PR1602/E	PR2202/E	PR4202/E	PR4201/E	PR6201/E
Capacity (g)	1600	2200	4200		6200
Readability (g)	0.01			0.1	
Repeatability (STDEV) (g)	0.01			0.1	
Linearity (g)	0.02			0.2	
Stabilization Time (s)	1				
Sensitivity Temperature Drift (PPM/K)	± 6		± 3		± 10
Typical Minimum Weight USP (USP, K=2, U=0.10%)	20 g			200 g	
Optimized Minimum Weight (USP, U=0.10%, K=2) SRP≤0.41d*	8.2 g			82 g	
Units	Milligram, Gram, Kilogram, Ounce, Pound, Carat, Pennyweight, Ounce Troy, Newton, Grain				
Applications	Basic Weighing, Parts Counting, Percent Weighing				
Pan Size	180 mm				
Tare Range	Full range				
Power Supply	Power Input: 100 – 240V ~ 200mA 50 – 60Hz 12 – 18VA Power Output: 12 VDC 0.5A				
Assembled Dimensions (W × D × H)	201 × 317 × 93 mm				
Communication	RS232				
Operating Temperature Range	10 °C to 30 °C				
Storage Temperature Range	Humidity: maximum relative humidity 80% for temperatures up to 30 °C, decreasing linearly to 50% relative humidity at 40 °C				
Net Weight	3.5 kg				
Shipping Weight	5 kg				
Shipping Dimensions (W × D × H)	550 × 385 × 291 mm				

*The value for SRP is the standard deviation for n replicate weighings (n≥10)

PR Series Analytical and Precision Balances

Dimensions



Other Standard Features and Equipment

ABS top housing, removable stainless steel pan, removable glass draftshield with sliding top door, integrated weigh-below-hook, security bracket, calibration lock, user-selectable environmental filters and brightness settings, auto-tare, auto-dim, user-selectable span calibration points, software lockout and reset menu, user-selectable communication settings and data print options, user-definable project and user IDs, software overload/underload indicator, stability indicator

Compliance

- **Product Safety:** IEC/EN 61010-1; CAN/CSA C22.2 61010-1; UL 61010-1
- **Electromagnetic Compatibility:** IEC/EN 61326-1 Class B, Basic Environments; FCC Part 15 Class A; Canada ICES-003 Class A
- **Compliance Marks:** CE; CSA; RCM

Accessories

Auxiliary Display	30472064
Density Kit	80253384
Sinker Glass for Density Determination	83034024
Security Device	80850043
RS232 Cable (25-pin)	80500524
Dust Cover	30093334
In-use Cover	30372547
Printer SF40A	30045641
Power Adapter for Balance	46001724
ION-100A	30130303

**OHAUS Asia/Pacific
Headquarters**
7F, Block 33, 680 Guiping Road
Shanghai 200233
China

e-mail: APmarketing@ohaus.com
Tel: +86 21 64855408

www.ohaus.com

*The management system
governing the manufacture
of this product is
ISO 9001:2015 certified.*

30385150

