



YIMATA, CHINA



● Features:

Material:

Anodised Aluminium

Rated Capacity:

Max: 2,000 kg (4,409.25 lb)

Min: 50 kg (110.23 lb)

Protection Class:

IP65

Accuracy Class:

C3

Form

Block Type, Single-Point

● Application:

Suitable For Platform Scales

Description:

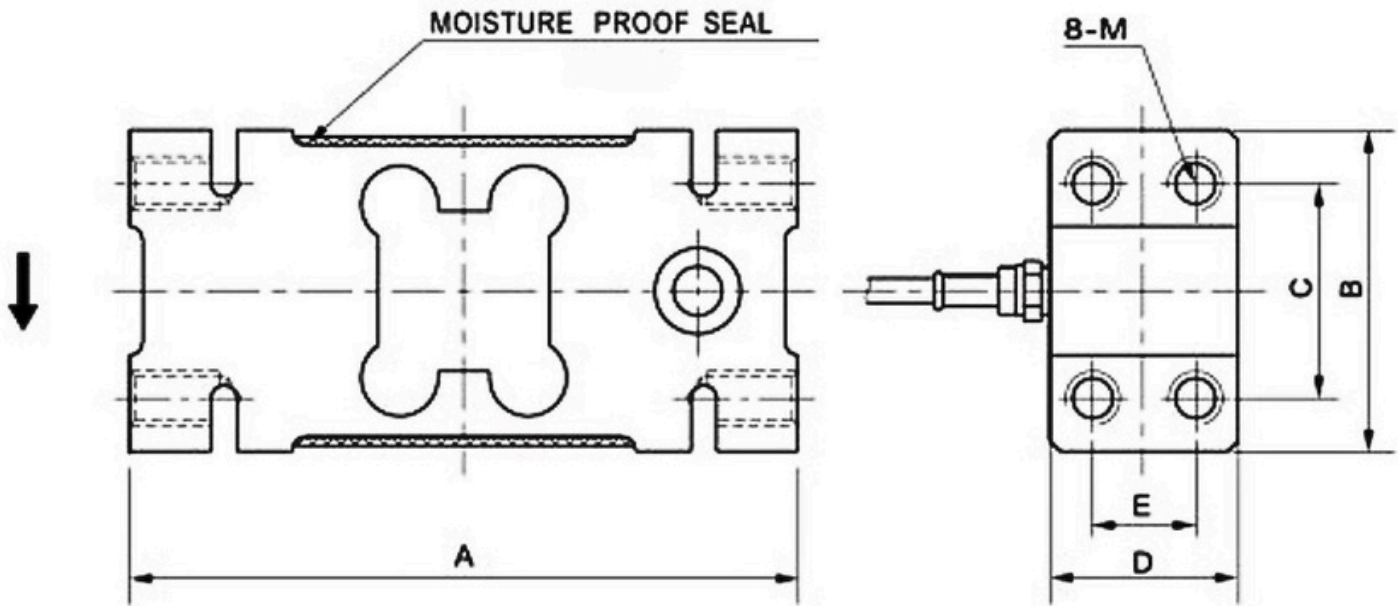
Box type single point loading structure enables it anti-dust. Corner adjustment before delivery ensures its consistent output in stated load plane. It is simple to install and easy to use. This load cell is suitable for electronic platform scale, etc.

Specifications:

Rated Output(mV/V)	2.00±0.10
Nonlinearity	±0.02%FS
Hysteresis	±0.02%FS
Repeatability	±0.01%FS
Creep(30 minutes)	±0.02%FS
Zero Balance	±1.00%FS
Temperature Effect on Zero	±0.02%FS/10°C
Temperature Effect on Output	±0.02%FS/10°C
Input Resistance(Ω)	410±15
Output Resistance(Ω)	350±3
Insulation Resistance ≥	≥5000MΩ
Excitation Voltage	10V(DC/AC)
Compensated Temperature Range	-10°C~+50°C
Operating Temperature Range	-20°C~+60°C
Safe Overload	120%FS
Cable	Φ5.4×3m



Main Dimension And Accessories:



Capacity	Size mm						
KG	A	B	C	D	E	M	SR
50-300	156.0	75.0	50.0	44.0	24.0	M12×1.75	600×600
300-500	146.0	95.0	70.0	60.0	36.0	M12×1.75	600×600
750-2000	176.0	123.0	95.0	76.0	46.0	M16×2	800×1000

Cable Color Code

Function	Colors
Excitation +	Red
Excitation -	Black
Signal +	Green
Signal -	White

Email: info@Yimata.com

Address: Main Town District, Beijing City, Beijing Province, China