

Compression load cell PR 6201 and mounting kits PR 6001, PR 614x

The all-round weighing solution for silo and vessel weighing



German Quality



The load cell of the PR 6201 serie is specially designed for weighing silos, tanks and process vessels. Their unique construction principle, in conjunction with the FLEXLOCK mounting kits, allows for movement to be tracked with a negligible effect on the weighing result.

The right solution for all of these applications:



Weighing



Filling and
dosing



Fill quantity
control

Technical specifications

Compression load cell PR 6201 (0.5 t–50 t)								
Parameter	Description	Abbr.	LA	L	D1/N	C3	C6	Unit
Accuracy class			0.25	0.25	0.04	0.015	0.008	%E _{max}
Minimum dead load	Lowest limit of specified measuring range	E _{min}	0					%E _{max}
Maximum capacity	Highest limit of specified measuring range	E _{max}	See Ordering information table					kg
Safe load limit	Maximum load without irreversible damage	E _{lim}	For 500 kg...30 t: 200 For 50 t: 150					%E _{max}
Destructive load	Danger of mechanical destruction	E _d	For 500 kg...30 t: >500 For 50 t: >300					%E _{max}
Minimum LC verification Interval	Minimum verification interval, $v_{min} = E_{max}/Y$	Y	/	/	5,000	14,000	20,000	
	For E _{max} = 1,000 kg	Y	/	/	3,500	/	/	
	For E _{max} = 500 kg	Y	/	/	1,750	/	/	
	For E _{max} = 3,000 kg	Y	/	/	5,000	9,000	/	
	For E _{max} = 2,000 kg	Y	/	/	5,000	7,000	/	
Deadload output return	Factor for deadload output return after load (DR=1/2*E _{max} /Z)	Z	/	/	1,000	3,000	8,000	
	For E _{max} = 50 t	Z	/	/	1,000	3,000	/	
Rated output	Relative output at maximum capacity (LA = 4...20 mA)	C _n	16 mA	1	1	1	1	mV/V
	For E _{max} = 50 t	C _n	16 mA	2	2	2	/	mV/V
Tolerance on rated output	Permissible deviation from rated output	d _c	<1.0	<1.0	<0.25	<0.07	<0.07	%C _n
Zero output signal	Load cell output signal under unloaded condition	S _{min}	4 mA*	<2.0	<1.0	<1.0	<1.0	%C _n
Reproducibility	Max. change in load cell output for repeated loading	ε _R	<0.02	<0.02	<0.01	<0.005	<0.005	%C _n
Creep	Max. change of output signal at E _{max} for 30 min.	d _{cr}	<0.05	<0.05	<0.03	<0.015	<0.008	%C _n
Non-linearity	Max. deviation from best straight line through zero	d _{Lin}	<0.25	<0.25	<0.03	<0.01	<0.01	%C _n
Hysteresis	Max. difference in LC output between loading and unloading	d _{hy}	<0.25	<0.25	<0.04	<0.015	<0.008	%C _n
Temperature effect (TK) on S _{min}	Max. change of S _{min} in B _T	TK _{Smin}	<0.15	<0.15	<0.028	<0.01	<0.007	%C _n /10 K
Temperature effect (TK) on parameter	Max. change of C in B _T	TK _C	<0.1	<0.1	<0.03	<0.01	<0.005	%C _n /10 K
Input impedance	Between supply terminals	R _{LC}	/	650±50	650 ±6			Ω
Output impedance	Between supply terminals	R _O	/	610 ±3	610 ±1	610 ±0.5		Ω
Insulation impedance	Between measuring circuit and housing at 100 V _{DC}	R _{IS}	/	>5,000 × 10 ⁶				Ω
Insulation voltage	Between circuit and housing (PR 62.../..E only)	/	/	500				V
Recommended supply voltage	To hold the specified performance	B _u	20...28	4...24				V
Max. supply voltage	Permissible for continuous operation without damage	U _{max}	28	32 (Ex versions: 25)				V
Nominal ambient temp. range	To hold the specified performance	B _T	-10...+55	-10...+55				°C
Usable temperature range	Permissible for continuous operation without damage	B _{Tu}	-30...+55	-40...+95				°C
Storage temperature range	Without electrical and mechanical stress	B _{Ti}	-40...+70	-40...+95				°C
Permissible eccentricity	Permissible displacement from nominal load line	S _{ex}	For 500 kg...10 t: 10 For 20 t...50 t: 5					mm
Vibration resistance	Resistance against oscillations (IEC 68-2-6 Fc)		20 g, 100 h, 10...150 Hz					
Barometric pressure influence	Influence of barometric pressure on output	PK _{Smin}	Up to 2 t: 280 3 t to 10 t: 320 From 20 t: 420					g/kPa
Nominal deflection	Max. elastic deformation under maximum capacity	S _{nom}	Up to 30 t ≤0.5/50 t ≤0.8					mm
Material (load cell housing)	Stainless steel 1.4301 acc. DIN EN 10088-3 (conforms to 304 AISI/SAE)							
Protection class	IP68/IP69							

Parameter	Description	Abbr.	LA	L	D1/N	C3	C6	Unit
Cable	Length: $E_{max} \leq 10$ t: 5 m, $E_{max} > 10$ t: 12 m Diameter: 5 mm Cross section: 4×0.35 mm ² Material cable sheath: TPE							
Bending radius	≥ 25 mm in case of fixed installation ≥ 75 mm in case of flexible installation							

* Zero output signal tolerance: $-2 \pm 2\%C_n$, i.e. 3.36 mA ... 4.00 mA

Compression load cell PR 6201 (100 t–520 t)

Parameter	Description	Abbr.	LA	L	520 t L	N	Unit	
Accuracy class			0.5	0.5	0.5	0.06	% E_{max}	
Minimum dead load	Lowest limit of specified measuring range	E_{min}	0				% E_{max}	
Maximum capacity	Highest limit of specified measuring range	E_{max}	See Ordering information table				kg	
Safe load limit	Maximum load without irreversible damage	E_{lim}	For 100 t, 200 t: 200 For 300 t: 133 For 520 t: 106				% E_{max}	
Destructive load	Danger of mechanical destruction	E_d	For 100 t, 200 t: >500 For 300 t: >333 For 520 t: >192				% E_{max}	
Rated output	Relative output at maximum capacity	C_n	16 mA	1	2.6	1.0/ 300 t = 1.5	mV/V	
Tolerance on rated output	Permissible deviation from rated output	d_c	<1.0	<1.0	<1.0	<0.25	% C_n	
Zero output signal	Load cell output signal under unloaded condition	S_{min}	4 mA	<2.0	<2.0	<1.0	% C_n	
Reproducibility	Max. change in load cell output for repeated loading	ϵ_R	<0.02	<0.02	<0.02	<0.01	% C_n	
Creep	Max. change of output signal at E_{max} for 30 min.	d_{cr}	<0.05	<0.05	<0.2	<0.03	% C_n	
Non-linearity	Max. deviation from best straight line through zero	d_{lin}	<0.3	<0.3	<0.1	<0.05	% C_n	
Hysteresis	Max. difference in LC output between loading and unloading	d_{hy}	<0.25	<0.25	<0.5	<0.06/ 100 t: <0.04	% C_n	
Temperature effect (TK) on S_{min}	Max. change of S_{min} in B_T	$TK_{S_{min}}$	<0.2	<0.2	<0.2	<0.06	% C_n /10 K	
Temperature effect (TK) on parameter	Max. change of C in B_T	TK_C	<0.1	<0.1	<0.1	<0.03	% C_n /10 K	
Input impedance	Between supply terminals	R_{LC}	/	650 +50	650 +50	650 ±6	Ω	
Output impedance	Between supply terminals	R_O	/	610 ±3	610 ±3	610 ±1	Ω	
Insulation impedance	Between measuring circuit and housing at 100 V _{DC}	R_{IS}	/	>5,000 × 10 ⁶			Ω	
Insulation voltage	Between circuit and housing (PR 62.../..E only)	/	/	500			V	
Recommended supply voltage	To hold the specified performance	B_u	20...28	4...24			V	
Max. supply voltage	Permissible for continuous operation without damage	U_{max}	28	32 (Ex versions: 25)			V	
Nominal ambient temp. range	To hold the specified performance	B_T	-10...+55	-10...+55			°C	
Usable temperature range	Permissible for continuous operation without damage	B_{Tu}	-30...+55	-40...+95			°C	
Storage temperature range	Without electrical and mechanical stress	B_{Ti}	-40...+70	-40...+95			°C	
Permissible eccentricity	Permissible displacement from nominal load line	S_{ex}	10					mm
Vibration resistance	Resistance against oscillations (IEC 68-2-6 Fc)		20 g, 100 h, 10...150 Hz					
Barometric pressure influence	Influence of barometric pressure on output	$PK_{S_{min}}$	100 t: 700 200 t, 300 t, 520 t: 1,400				g/kPa	
Nominal deflection	Max. elastic deformation under maximum capacity	S_{nom}	100 t: 1.0/200 t: 1.6/300 t: 2.4/520 t: 2.7					mm
Material (load cell housing)	Stainless steel 1.4301 acc. DIN EN 10088-3 (conforms to 304 AISI)							
Protection class	IP68/IP69							
Cable	Length: 12 m Diameter: 5 mm Cross-section: 4×0.35 mm ² Cable sheath material: TPE							
Bending radius	≥ 25 mm in case of fixed installation ≥ 75 mm in case of flexible installation							

Accuracy classes and minimum verification interval, v_{\min}

	OIML			NTEP Class III Multiple			NTEP Class III L Multiple		
	D1/D1E	C3/C3E	C6/C6E	D1/D1E	C3/C3E	C6/C6E	D1/D1E	C3/C3E	C6/C6E
Maximum number of verification intervals, n_{\max}	1,000	3,000	6,000	1,000	5,000	10,000	2,000	10,000	10,000
500 kg	0.2 kg	n.a.	n.a.	0.2 kg	n.a.	n.a.	n.a.	n.a.	n.a.
1 t	0.2 kg	n.a.	n.a.	0.2 kg	n.a.	n.a.	n.a.	n.a.	n.a.
2 t	0.4 kg	0.2 kg	n.a.	0.4 kg	0.2 kg	n.a.	0.2 kg	0.2 kg	n.a.
3 t	0.6 kg	0.22 kg	0.22 kg	0.6 kg	0.22 kg	0.22 kg	0.2 kg	0.2 kg	0.2 kg
5 t	1 kg	0.36 kg	0.36 kg	1 kg	0.36 kg	0.36 kg	0.34 kg	0.2 kg	0.2 kg
10 t	2 kg	0.72 kg	0.72 kg	2 kg	0.72 kg	0.72 kg	0.67 kg	0.24 kg	0.24 kg
20 t	4 kg	1.43 kg	1 kg	4 kg	1.43 kg	1 kg	1.34 kg	0.48 kg	0.34 kg
30 t	6 kg	2.15 kg	1.5 kg	6 kg	2.15 kg	1.5 kg	2 kg	0.72 kg	0.5 kg
50 t	10 kg	3.58 kg	2.5 kg	10 kg	3.58 kg	2.5 kg	3.34 kg	1.2 kg	0.84 kg
60 t	12 kg	4.29 kg	3 kg	12 kg	4.29 kg	3 kg	4 kg	1.43 kg	1 kg
75 t	15 kg	5.36 kg	3.75 kg	15 kg	5.36 kg	3.75 kg	5 kg	1.79 kg	1.25 kg

Mounting kits PR 6001

Maximum capacity of load cell PR 6201	Mounting kit/ accessories	Material	Description/ comments	Mounting screws (not included in delivery)	Installation height (mm)	Max. permissible horizontal force (kN)	Max. permissible lift-off force (kN)	Max. permissible eccentricity	Max. permissible vertical load without load cell	Max. permissible load for jack-up	CE approval according to EN 1090
500 kg–10 t	PR 6001/00N	Steel electrogalvanised, chromated and sealed (RoHS compliant)	Mounting kit incl. upper load disc	M12-8.8	190.5	25	20	±5	25 t	1.5 t	Yes
	PR 6001/00S	Stainless steel 1.4301 (AISI 304)	Mounting kit incl. upper and lower load disc	M12-A2-70							/
	PR 6001/10N	Steel electrogalvanised, chromated and sealed (RoHS compliant)	MaxiFLEXLOCK	M12-8.8							Yes
	PR 6001/10S	Stainless steel 1.4301 (AISI 304)	MaxiFLEXLOCK	M12-A2-70	/						
	PR 6001/20N	Steel electrogalvanised, chromated and sealed (RoHS compliant)	MaxiFLEXLOCK	M16-8.8	250.5	200	180	±5	25 t	1.5 t	Yes
	PR 6001/20S	Stainless steel 1.4301 (AISI 304)	MaxiFLEXLOCK	M16-A2-70							/
	PR 6001/30N	Steel electrogalvanised, chromated and sealed (RoHS compliant)	High-load mounting kit incl. upper load disc	M20-8.8	250.5	200	180	±5	25 t	1.5 t	Yes

Maximum capacity of load cell PR 6201	Mounting kit/ accessories	Material	Description/ comments	Mounting screws (not included in delivery)	Installation height (mm)	Max. permissible horizontal force (kN)	Max. permissible lift-off force (kN)	Max. permissible eccentricity	Max. permissible vertical load without load cell	Max. permissible load for jack-up	CE approval according to EN 1090
20 t–75 t	PR 6001/01N	Steel electrogalvanised, chromated and sealed (RoHS compliant)	Mounting kit including upper load disc	M12-8.8	190.5	/	30	±5	25 t	/	Yes
	PR 6001/01S	Stainless steel 1.4301 (AISI 304)	Mounting kit incl. upper and lower load disc	M12-A2-70							/
	PR 6001/11N	Steel electrogalvanised, chromated and sealed (RoHS compliant)	MaxiFLEXLOCK	M12-8.8							Yes
	PR 6001/11S	Stainless steel 1.4301 (AISI 304)	MaxiFLEXLOCK	M12-A2-70	50	/	/	/	/	/	
	PR 6001/21N	Steel electrogalvanised, chromated and sealed (RoHS compliant)	MaxiFLEXLOCK	M16-8.8						Yes	
	PR 6001/21S	Stainless steel 1.4301 (AISI 304)	MaxiFLEXLOCK	M16-A2-70	250.5	/	180	±5	25 t	/	/
	PR 6001/26N	Steel electrogalvanised, chromated and sealed (RoHS compliant)	MaxiFLEXLOCK	M20-8.8							50
PR 6001/31N	Steel electrogalvanised, chromated and sealed (RoHS compliant)	High-load mounting kit incl. upper load disc	M20-8.8	200	Yes						
100 t	PR 6001/02N	Steel electrogalvanised, chromated and sealed (RoHS compliant)	Mounting kit incl. upper load disc	M16-8.8	290	/	40	±5	38 t	/	Yes
	PR 6001/32N	High-load mounting kit incl. upper load disc	M20-8.8	350	200	250	25 t		/	Yes	
200 t–300 t	PR 6001/03N	Steel electrogalvanised, chromated and sealed (RoHS compliant)	Mounting disc incl. upper load disc	M20-8.8	385	/	50	±5	54 t	/	Yes
	PR 6001/33N	High-load mounting kit incl. upper load disc	M20-8.8	445	200	250	25 t		/	Yes	

Mounting kits PR 6143

Maximum capacity of load cell PR 6201	Mounting kit/ accessories	Material	Description/ comments	Mounting screws (not included in delivery)	Installation height (mm)	Max. permissible horizontal force (kN)	Max. permissible lift-off force (kN)**	CE approval according to EN 1090
500 kg–10 t	PR 6143/24S	Stainless steel 1.4542	Base	/	/	/	/	/
20 t–75 t	PR 6143/54S	Stainless steel 1.4542	Base	/	/	/	/	/
500 kg–75 t	PR 6143/50N	Steel electrogalvanised, chromated and sealed (RoHS compliant)	Upper load disc	/	/	/	/	/
	PR 6143/50S	Stainless steel 1.4542	Upper load disc	/	/	/	/	/
	PR 6143/00N	Steel electrogalvanised, chromated and sealed (RoHS compliant)	MiniFLEXLOCK incl. upper load disc	M12-8.8	190.5	25	50	Yes
	PR 6143/00S	Stainless steel 1.4301 (AISI 304)	MiniFLEXLOCK incl. upper and lower load disc*	M12-A2-70				/
	PR 6143/10N	Steel electrogalvanised, chromated and sealed (RoHS compliant)	MiniFLEXLOCK incl. upper load disc	M16-8.8				50
	PR 6143/10S	Stainless steel 1.4301 (AISI 304)	MiniFLEXLOCK incl. upper and lower load disc*	M16-A2-70	/			

* Lower load disc only for 0.5 t–10 t, for 20 t–75 t please order base PR 6143/54S separately

** With separate threaded bolt of strength class 8.8 or A2-70

Mounting kits PR 6143

Maximum capacity of load cell PR 6201	Mounting kit/ accessories	Material	Description/ comments	Mounting screws (not included in delivery)	Installation height (mm)	Max. permissible horizontal force (kN)	Max. permissible lift-off force (kN)**	CE approval according to EN 1090
100 t	PR 6143/15N	Steel electrogalvanised, chromated and sealed (RoHS compliant)	MiniFLEXLOCK incl. upper load disc	M20-8.8	290	150	200	Yes
200 t–300 t	PR 6143/25N	Steel electrogalvanised, chromated and sealed (RoHS compliant)	MiniFLEXLOCK incl. upper load disc	M20-8.8	385	150	200	Yes
520 t	PR 6143/55N	Steel electrogalvanised, chromated and sealed (RoHS compliant)	Upper load disc and base	/	/	/	/	/

* Lower load disc only for 0.5 t–10 t,
for 20 t–75 t please order base PR 6143/54S separately
** With separate threaded bolt of strength class 8.8 or A2-70

Mounting kits PR 6144

Maximum capacity of load cell PR 6201	Mounting kit/ accessories	Material	Description/ comments	Mounting screws (not included in delivery)	Installation height (mm)	Max. permissible horizontal force (kN)	Max. permissible lift-off force (kN)	Max. permissible vertical load without load cell	CE approval according to EN 1090
5 t–75 t	PR 6144/54N	Steel electrogalvanised, chromated and sealed (RoHS compliant)	Seismic Mount incl. load cell dummy	M30-8.8	217	370	400	16 t	Yes
100 t	PR 6144/15N				298	440	600	24 t	Yes
200 t–300 t	PR 6144/35N			M36-8.8	385	520	880	60 t	Yes
520 t	PR 6144/55N				428	520	880	110 t	Yes

Mounting kits PR 6145

Maximum capacity of load cell PR 6201	Mounting kit/ accessories	Material	Description/ comments	Mounting screws (not included in delivery)	Installation height (mm)	CE approval according to EN 1090
500 kg–75 t	PR 6145/00N	Steel electrogalvanised, chromated and sealed (RoHS compliant)	Plate mounting kit incl. upper load disc	M12-8.8	190.5	Yes
	PR 6145/00S	Stainless steel 1.4301 (AISI 304)	Plate mounting kit incl. upper and lower load disc*	M12-A2-70		/
100 t	PR 6145/08N	Steel electrogalvanised, chromated and sealed (RoHS compliant)	Plate mounting kit incl. upper load disc	M16-8.8	290	Yes
200 t–300 t	PR 6145/10N	Steel electrogalvanised, chromated and sealed (RoHS compliant)	Plate mounting kit incl. upper load disc	M20-8.8	385	Yes

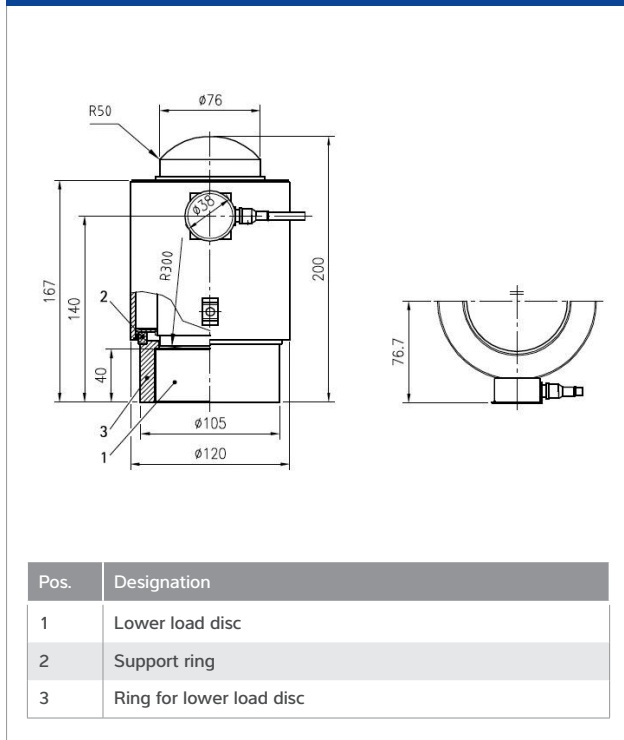
* Lower load disc only for 0.5 t–10 t,
for 20 t–75 t please order base PR 6143/54S separately

Fixed bearing PR 6101

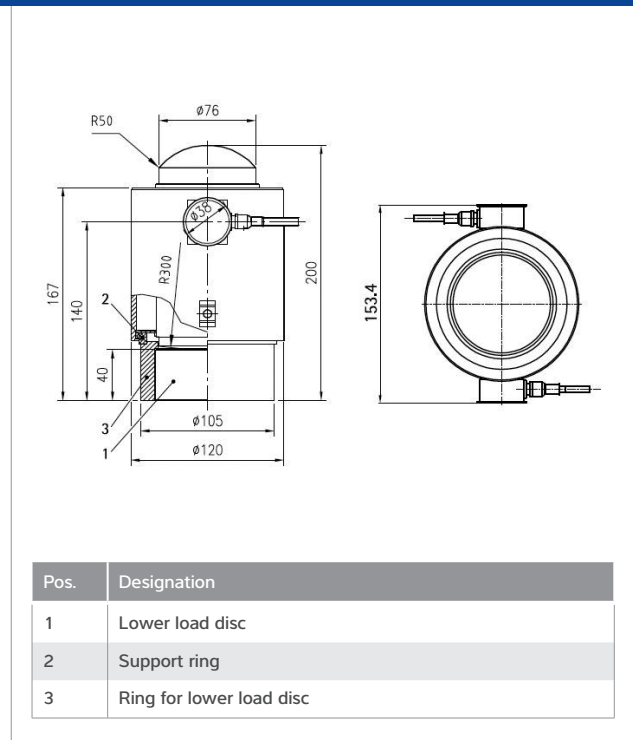
Maximum capacity of load cell PR 6201	Fixed bearing	Material	Mounting screws (not included in delivery)	Installation height (mm)	Max. usable load	Permissible horizontal force for usable load (kN)
5 t	PR 6101/53N	Steel electrogalvanised, chromated and sealed (RoHS compliant)	M12-8.8	190.5	5 t	15
		Stainless steel 1.4301 (AISI 304)	M12-A2-70		10 t	12
	PR 6101/53S	Stainless steel 1.4301 (AISI 304)	M12-A2-70		5 t	10
					10 t	8.5
20 t	PR 6101/24N	Steel electrogalvanised, chromated and sealed (RoHS compliant)	M12-8.8	190.5	20 t	45
		Stainless steel 1.4301 (AISI 304)	M12-A2-70		40 t	35
	PR 6101/24S	Stainless steel 1.4301 (AISI 304)	M12-A2-70		20 t	30
					40 t	20
75 t	PR 6101/54N	Steel electrogalvanised, chromated and sealed (RoHS compliant)	M12-8.8	190.5	50 t	100
		Stainless steel 1.4301 (AISI 304)	M12-A2-70		75 t	80
	PR 6101/54S	Stainless steel 1.4301 (AISI 304)	M12-A2-70		50 t	50
					75 t	20
100 t	PR 6101/15N	Steel electrogalvanised, chromated and sealed (RoHS compliant)	M16-8.8	290	100 t	200
					200 t	120
200 t-300 t	PR 6101/25N	Steel electrogalvanised, chromated and sealed (RoHS compliant)	M20-8.8	385	200 t	350
					300 t	300
					400 t	180
520 t	PR 6101/55N	Steel electrogalvanised, chromated and sealed (RoHS compliant)	M36-8.8	428	520 t	390
					550 t	340

Technical diagrams

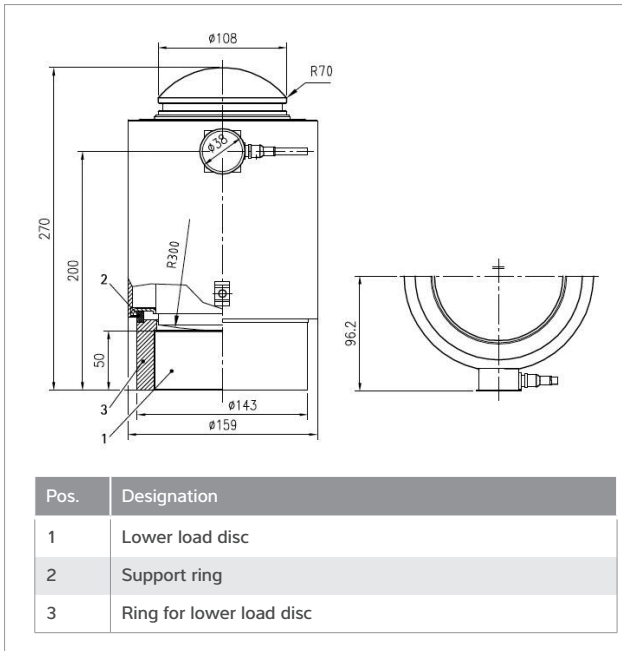
Load cells PR 6201



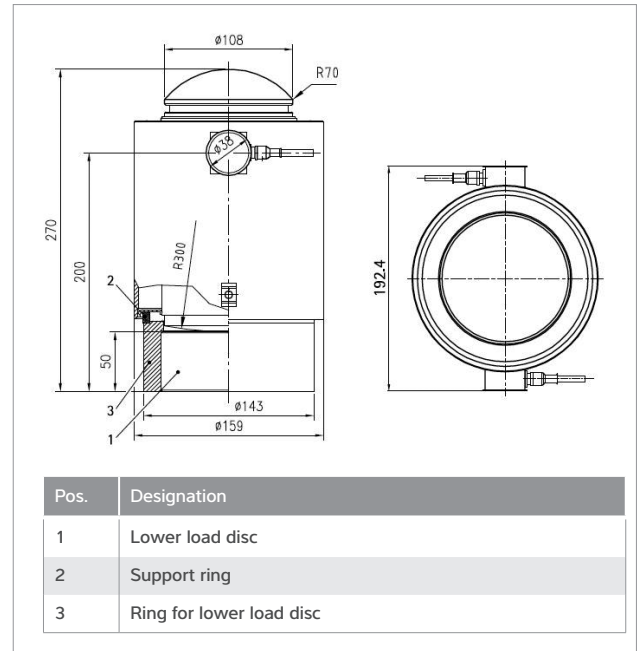
Load cell PR 6201/15 (maximum capacity 100 t)



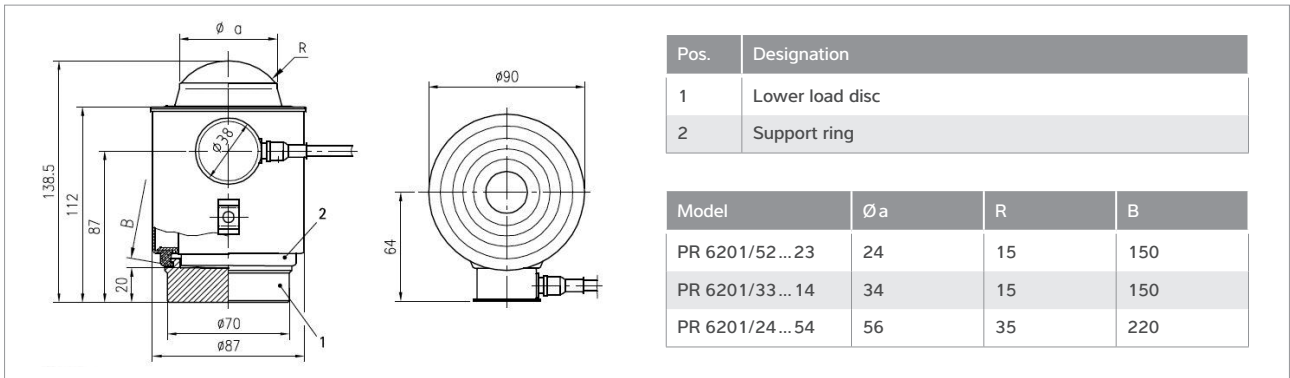
Load cell PR 6201/15 DB (maximum capacity 100 t)



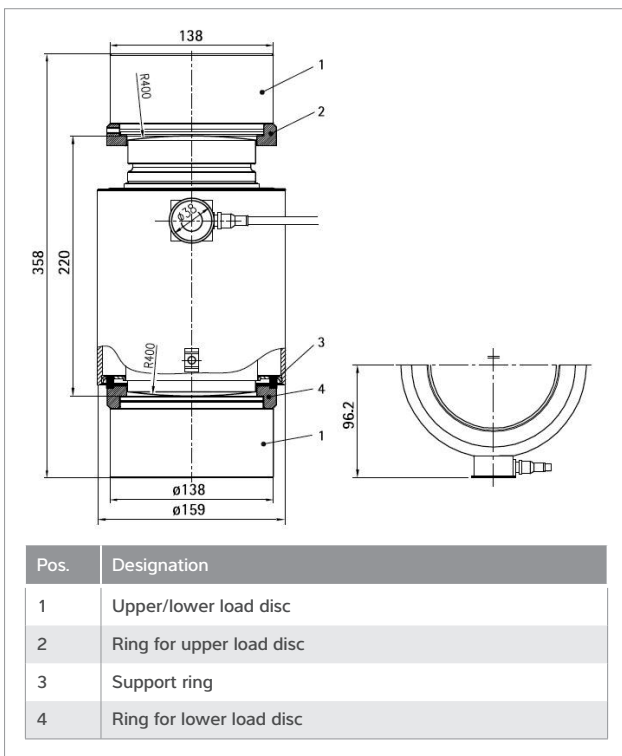
Load cell PR 6201/25 (maximum capacity 200 t),
PR 6201/35 (maximum capacity 300 t)



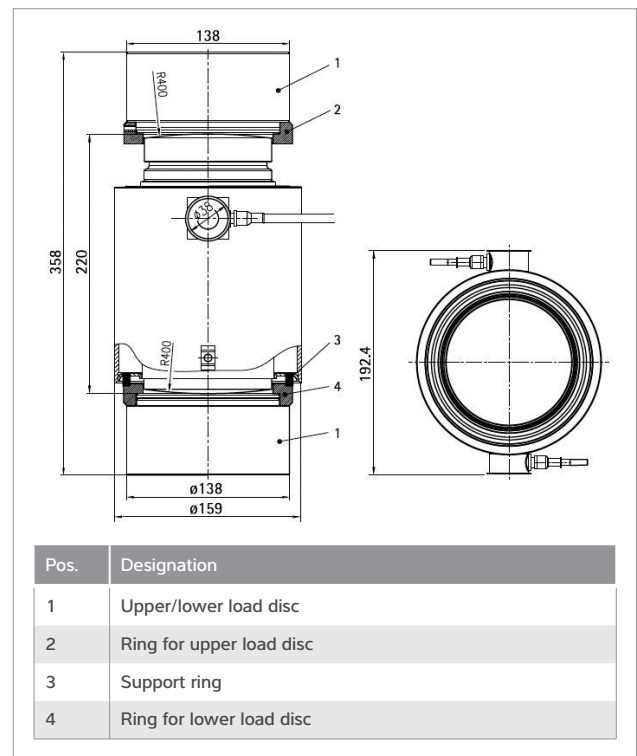
Load cell PR 6201/25 DB (maximum capacity 200 t),
PR 6201/35 DB (maximum capacity 300 t)



Load cells PR 6201/52...54 (maximum capacities 500 kg...50 t)

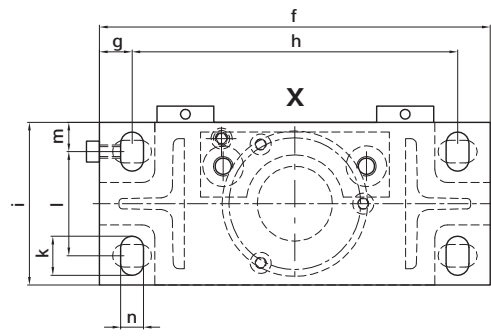
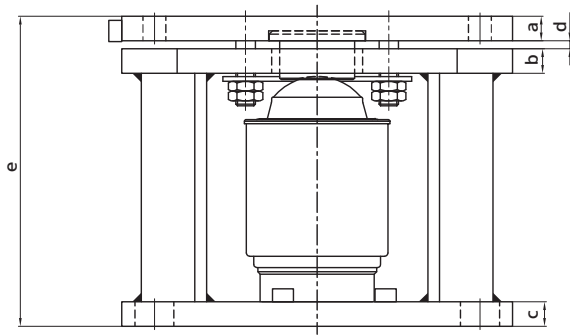


Load cell PR 6201/520 t (maximum capacity 520 t)



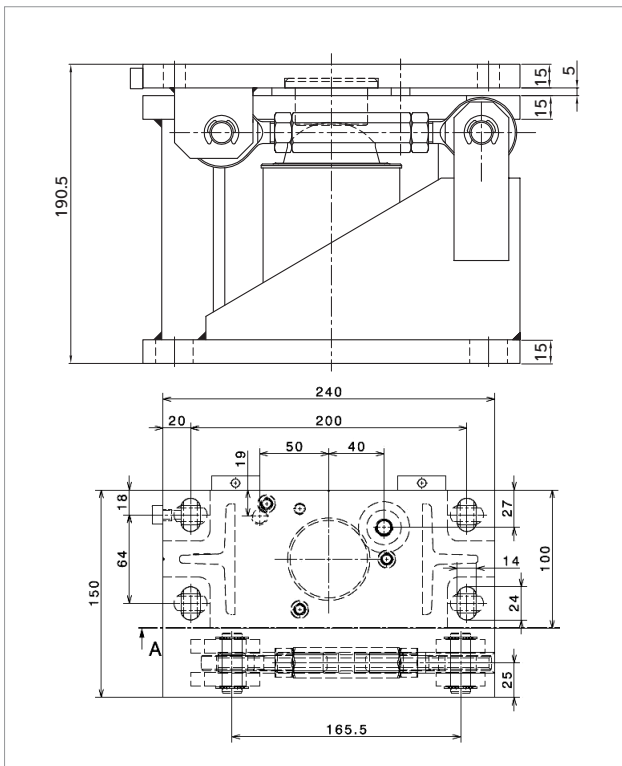
Load cell PR 6201/520 t (maximum capacity 520 t)

Mounting kits PR 6001

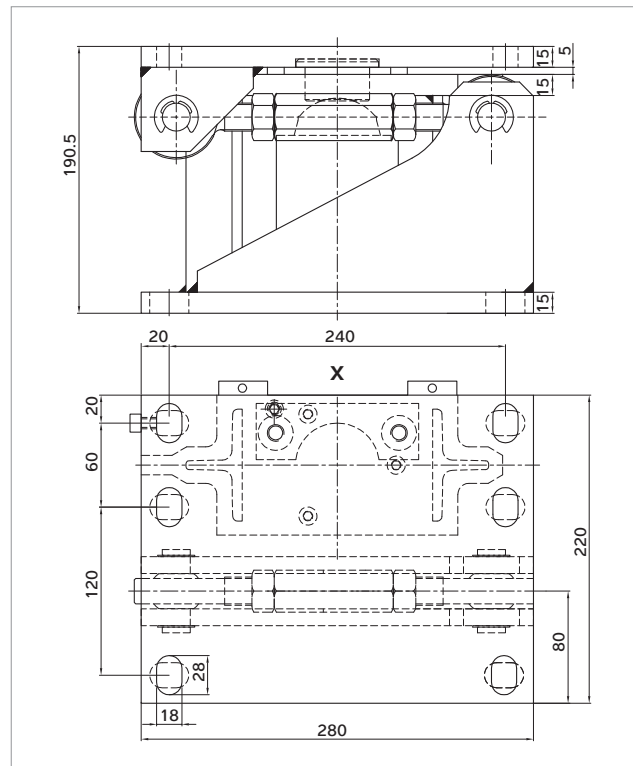


Mounting kit	a	b	c	d	e	f	g	h	i	k	l	m	n
PR 6001/00	15	15	15	5	190.5	240	20	200	100	24	64	18	14
PR 6001/01	15	15	15	5	190.5	240	20	200	100	24	64	18	14
PR 6001/02	30	20	30	8	290	300	23	254	130	32	84	23	18
PR 6001/03	40	20	40	10	385	370	30	310	180	40	120	30	22

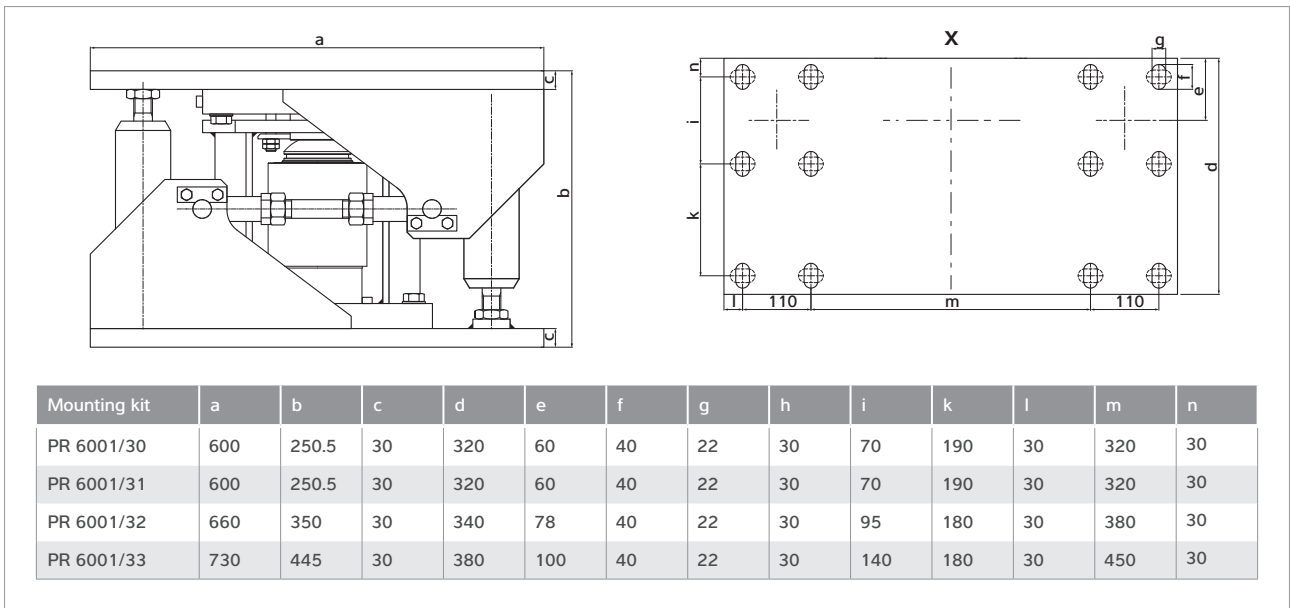
Mounting kits PR 6001/00N+S, PR 6001/01N+S, PR 6001/02N, PR 6001/03N



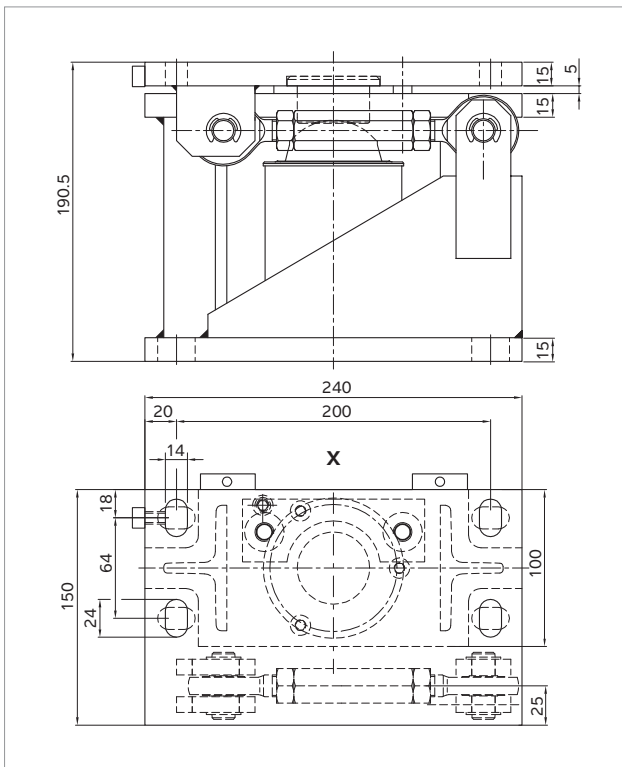
Mounting kit PR 6001/10N+S



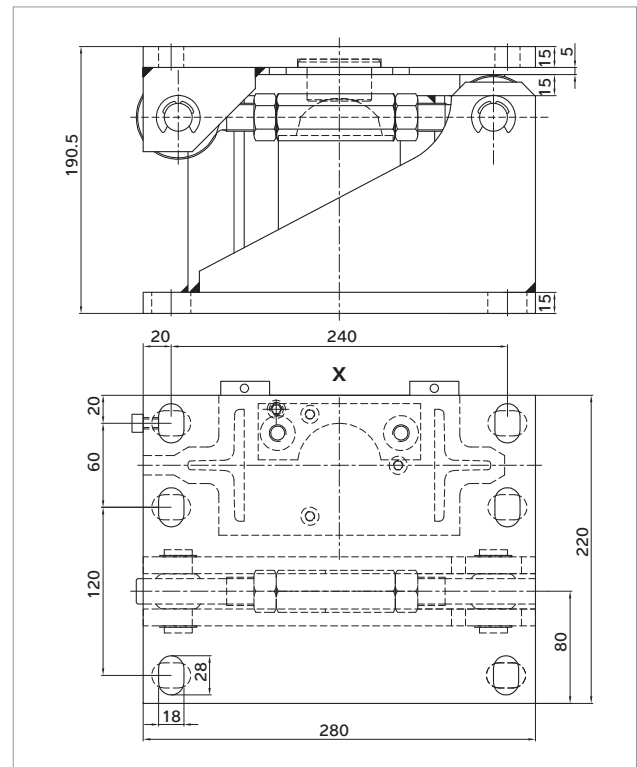
Mounting kit PR 6001/20N+S



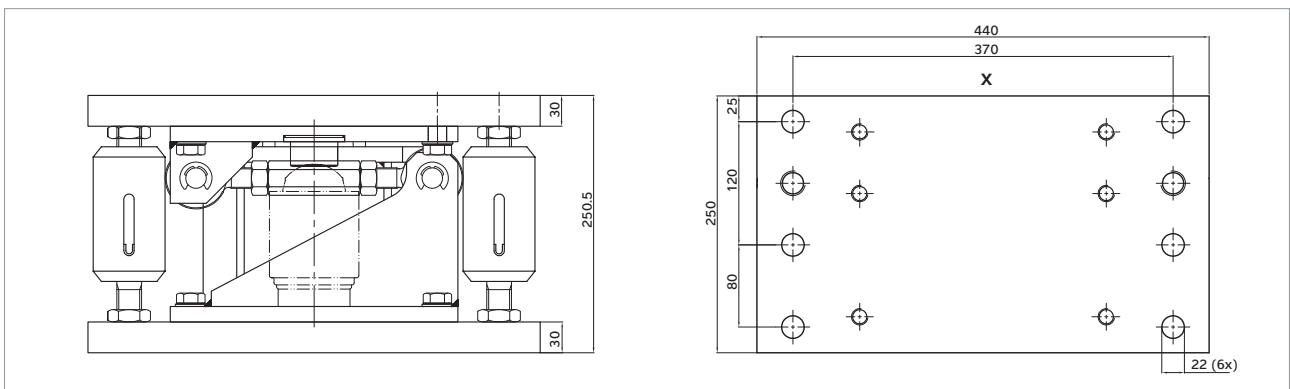
Mounting kits PR 6001/30N, PR 6001/31N, PR 6001/32N, PR 6001/33N



Mounting kit PR 6001/11N+S



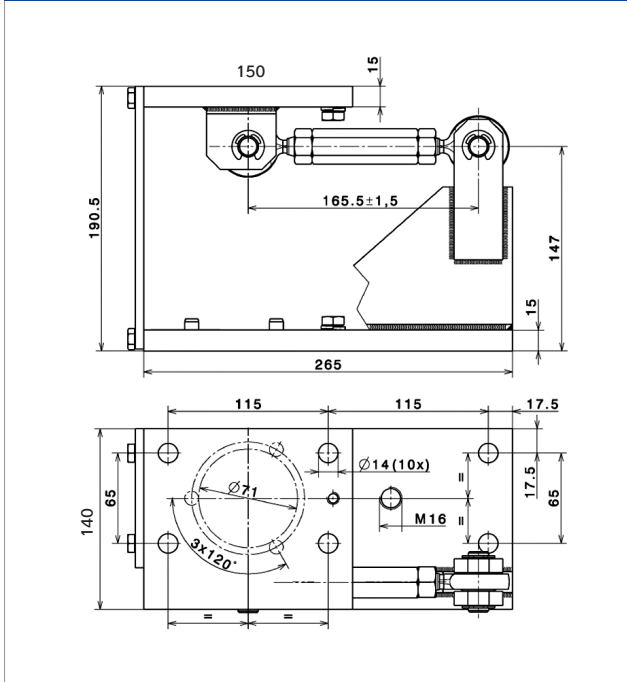
Mounting kit PR 6001/21N+S



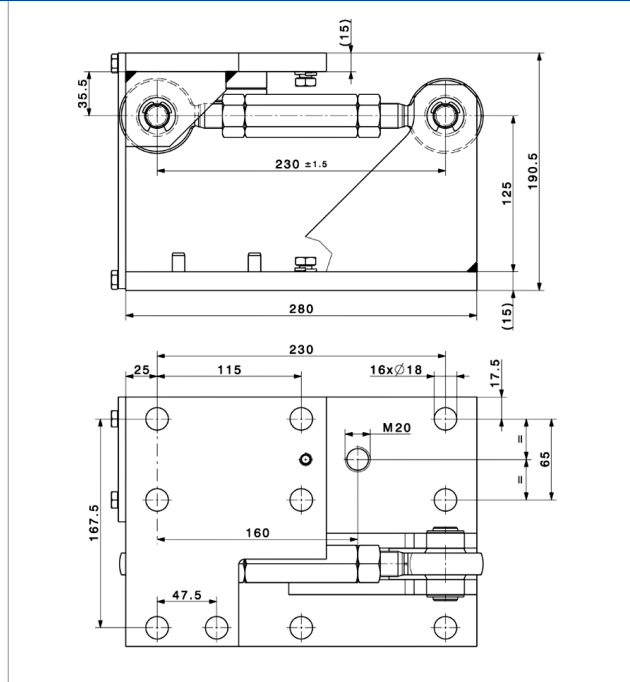
Mounting kit PR 6001/26N

All dimensions in mm

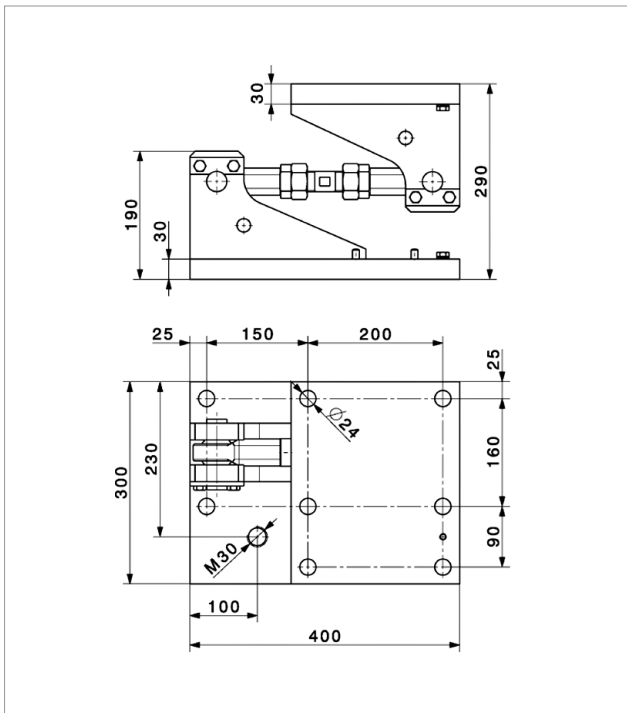
Mounting kit PR 6143



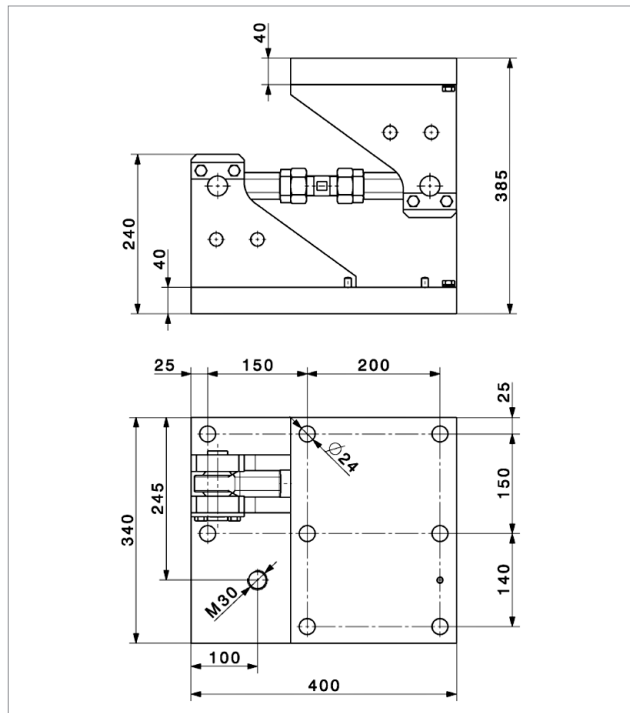
Mounting kit PR 6143/00N+S



Mounting kit PR 6143/10N+S

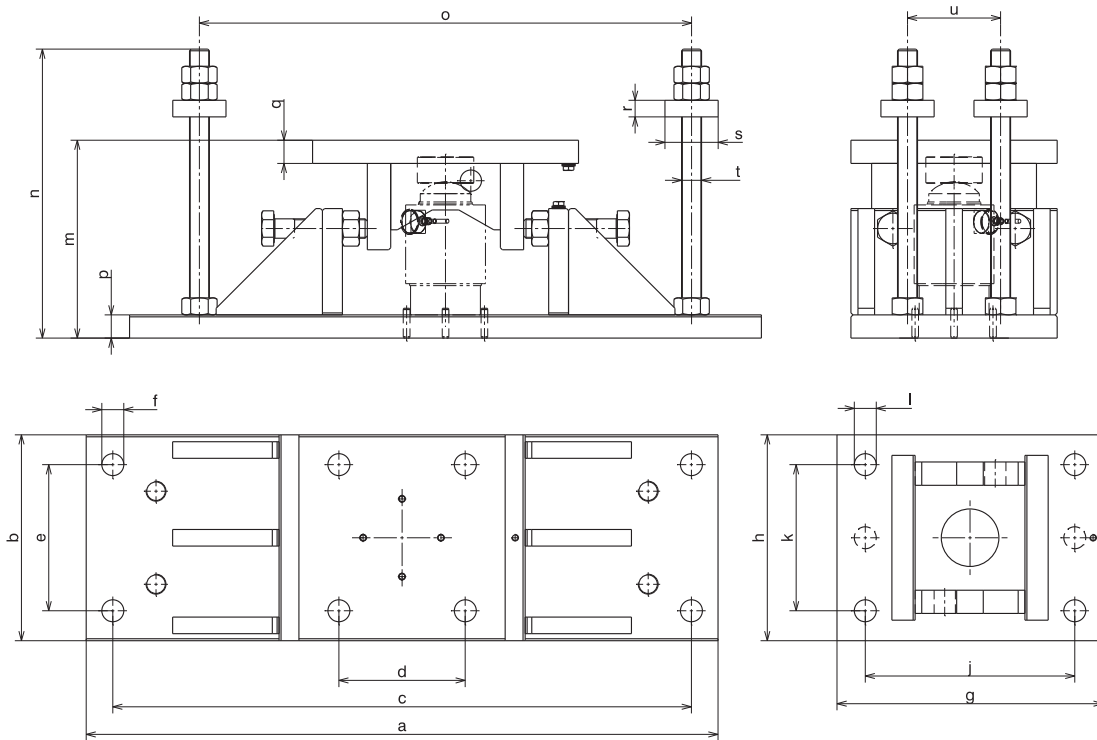


Mounting kit PR 6143/15N



Mounting kit PR 6143/25N

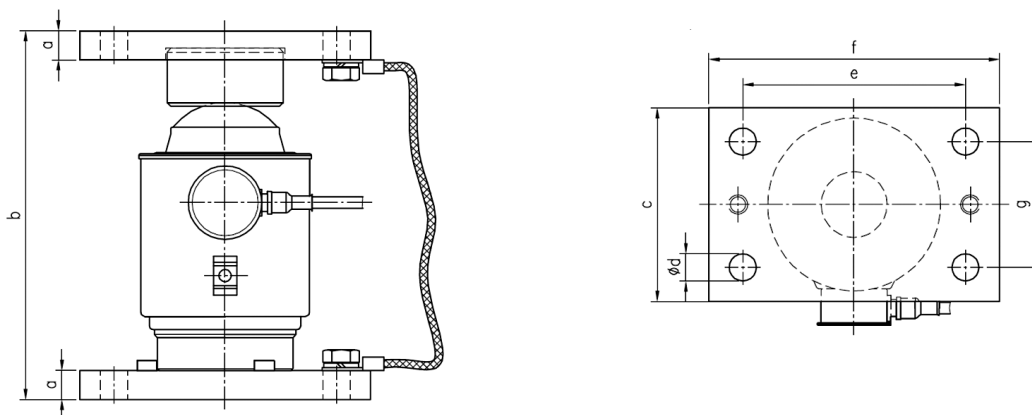
Mounting kits PR 6144



Model	a	b	c	d	e	f	g	h	j	k	l	m	n	o	p	q	r	s	t	u
PR 6144/54	820	240	740	160	160	Ø33	380	240	300	160	Ø33	217	350	620	30	30	25	Ø80	M30	120
PR 6144/15	950	310	870	190	220	Ø33	400	310	315	220	Ø33	298	435	740	35	35	25	Ø80	M30	140
PR 6144/35	1,150	350	1,070	230	260	Ø39	460	350	380	260	Ø39	387	545	920	40	40	30	Ø100	M36	150
PR 6144/55	1,180	350	1,100	230	260	Ø39	460	350	380	260	Ø39	428	590	970	40	40	30	Ø100	M36	150

Mounting kits PR 6144/54N, PR 6144/15N, PR 6144/35N, PR 6144/55N

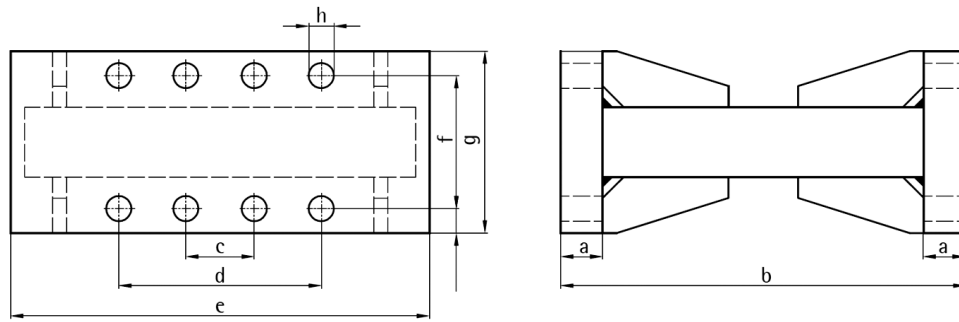
Mounting kits PR 6145/xx



Model	a	b	c	d	e	f	g
PR 6145/00	15	190.5	100	14	115	150	65
PR 6145/08	30	290	130	18	145	180	95
PR 6145/10	40	385	180	24	185	220	135

Mounting kits PR 6145/00, PR 6145/08, PR 6145/10

Fixed bearing PR 6101/xx



Model	a	b	c	d	e	f	g	h
PR 6101/53	15	190.5	–	115	150	65	100	14 (4×)
PR 6101/24	15	190.5	–	115	150	65	100	14 (4×)
PR 6101/54	15	190.5	115	199	250	65	100	14 (8×)
PR 6101/15	30	290.0	49	145	300	95	130	18 (8×)
PR 6101/25	40	385.0	185	375	450	135	180	24 (8×)
PR 6101/55	40	428.0	90	390	500	190	280	39 (8×)

Fixed bearing PR 6101/53, PR 6101/24, PR 6101/54, PR 6101/15, PR 6101/25, PR 6101/55

All dimensions in mm

Ex approval

Scope of validity:

PR 6201 (0,5 t–50 t)/PR 6201 (100 t–520 t)



Explosion protection

Certificates precision compression load cell PR 6201

Zone	Labelling	Certificate number	For
0 and 1	II 1G Ex ia IIC T6 Ga Ex ia IIC T6 Ga 0Ex ia IIC T6	BVS 16 ATEX E 005 IECEx BVS 16.0005 RU C-DE.MIO62.B.05836*	PR 6201/..E + ..DBE only
20 and 21	II 1D Ex ta IIIC T160 °C Da Ex ta IIIC T160 °C Da Ex ta IIIC T160 °C X	TÜV 03 ATEX 2301X IECEx TUN 17.0025X RU C-DE.MIO62.B.05836*	PR 6201/..L, ..D1, ..C3-C6, ..N
2	II 3G Ex nA IIC T6 Gc 2Ex nA IIC T6 X	Manufacturer's declaration RU C-DE.MIO62.B.05836*	PR 6201/..L, ..D1, ..C3-C6, ..N, ..LDB, ..NDB
22	II 3D Ex tc IIIC T85 °C Dc Ex tc IIIC T85 °C X	Manufacturer's declaration RU C-DE.MIO62.B.05836*	PR 6201/..L, ..D1, ..C3-C6, ..N, ..LDB, ..NDB
FMus	IS CL I, II, III, DIV 1, GP A, B, C, D, E, F, G Entity - 4012 101 5688 NI CL I, II, III, DIV 2, GP A, B, C, D, E, F, G NIFW - 4012 101 5688 T4A Ta= -30 °C to 70 °C; T5 Ta= -30 °C to 55 °C	FM17US0276	PR 6201/..L, ..D1, ..C3-C6, ..N
FMca	IS CL I, II, III, DIV 1, GP A, B, C, D, E, F, G Entity - 4012 101 5688 NI CL I, II, III, DIV 2, GP A, B, C, D, E, F, G NIFW - 4012 101 5688 T4A Ta= -30 °C to 70 °C; T5 Ta= -30 °C to 55 °C	FM17CA0138	PR 6201/..L, ..D1, ..C3-C6, ..N

*Certification body: Prommash Test LLC (accreditation code MIO62)

Ordering information

Compression load cell PR 6201,
accuracy class L=0.25%
(100 t + 520 t L=0.5%)

Type	Load stage	Order number
PR 6201/52L	500 kg	940526201529
PR 6201/13L	1 t	940526201139
PR 6201/23L	2 t	940526201239
PR 6201/33L	3 t	940526201339
PR 6201/53L	5 t	940526201539
PR 6201/14L	10 t	940526201149
PR 6201/24L	20 t	940526201249
PR 6201/54L	50 t	940526201549
PR 6201/15L*	100 t	940526201159
PR 6201/520tL*	520 t	940526201559

*PR 6201 still available in the load steps 100 t and 520 t

Product discontinued
Please use PR 6203/Inteco

Compression load cell PR 6201 with
analogue output (4–20 mA), accuracy class
L=0.25% (100 t + 200 t L=0.5%)

Type	Load stage	Order number
PR 6201/52LA	500 kg	940556201529
PR 6201/13LA	1 t	940556201139
PR 6201/23LA	2 t	940556201239
PR 6201/33LA	3 t	940556201339
PR 6201/53LA	5 t	940556201539
PR 6201/14LA	10 t	940556201149
PR 6201/24LA	20 t	940556201249
PR 6201/34LA	30 t	940556201349
PR 6201/54LA	50 t	940556201549
PR 6201/15LA	100 t	940556201159
PR 6201/25LA	200 t	940556201259

High-load compression load cell PR 6201,
accuracy class N=0.06%

Type	Load stage	Order number
PR 6201/15N	100 t	940526201151
PR 6201/25N	200 t	940526201251
PR 6201/35N	300 t	940526201351

High-load compression load cell PR 6201,
accuracy class N=0.06%,
Ex version (520 t L=0.5%)

Type	Load stage	Order number
PR 6201/15NE	100 t	940566201151
PR 6201/25NE	200 t	940566201251
PR 6201/35NE	300 t	940566201351
PR 6201/520tLE	520 t	940566201559

Compression load cell PR 6201 OIML R60,
accuracy class D1=0.05%

Type	Load stage	Order number
PR 6201/52D1	500 kg	940526201521
PR 6201/13D1	1 t	940526201131
PR 6201/23D1	2 t	940526201231
PR 6201/33D1	3 t	940526201331
PR 6201/53D1	5 t	940526201531
PR 6201/14D1	10 t	940526201141
PR 6201/24D1	20 t	940526201241
PR 6201/34D1	30 t	940526201341
PR 6201/54D1	50 t	940526201541

Product discontinued
Please use PR 6203/Inteco

Compression load cell PR 6201 OIML R60,
accuracy class D1=0.05 %, Ex version

Type	Load stage	Order number
PR 6201/52D1E	500 kg	940566201521
PR 6201/13D1E	1 t	940566201131
PR 6201/23D1E	2 t	940566201231
PR 6201/33D1E	3 t	940566201331
PR 6201/53D1E	5 t	940566201531
PR 6201/14D1E	10 t	940566201141
PR 6201/24D1E	20 t	940566201241
PR 6201/34D1E	30 t	940566201341
PR 6201/54D1E	50 t	940566201541

Product discontinued
Please use PR 6203/Inteco

Precision compression load cells OIML R60,
accuracy class C3=0.015%

Type	Load stage	Order number
PR 6201/23C3	2 t	940526201237
PR 6201/33C3	3 t	940526201337
PR 6201/53C3	5 t	940526201537
PR 6201/14C3	10 t	940526201147
PR 6201/24C3	20 t	940526201247
PR 6201/34C3	30 t	940526201347
PR 6201/54C3	50 t	940526201547

Product discontinued
Please use PR 6203/Inteco

Precision compression load cells OIML R60,
accuracy class C3=0.015%, Ex version

Type	Load stage	Order number
PR 6201/23C3E	2 t	940566201237
PR 6201/33C3E	3 t	940566201337
PR 6201/53C3E	5 t	940566201537
PR 6201/14C3E	10 t	940566201147
PR 6201/24C3E	20 t	940566201247
PR 6201/34C3E	30 t	940566201347
PR 6201/54C3E	50 t	940566201547

Product discontinued
Please use PR 6203/Inteco

Precision compression load cell PR 6201
OIML R60

**Product discontinued
Please use PR 6203/Inteco**

Type	Load stage	Order number
PR 6201/15NDB	100 t	940526201248
PR 6201/30NDB	30 t	940526201348

Precision compression load cell PR 6201
OIML R60, accuracy class N=0.06%
Ex version

**Product discontinued
Please use PR 6203/Inteco**

Type	Load stage	Order number
PR 6201/15NDBE	100 t	940566201248
PR 6201/30NDBE	30 t	940566201348

Dual Bridge compression load cell PR 6201
OIML R60, accuracy class N=0.06%
(520 t L=0.5%)

Type	Load stage	Order number
PR 6201/15NDB	100 t	940526201155
PR 6201/25NDB	200 t	940526201255
PR 6201/35NDB	300 t	940526201355
PR 6201/520tLDB	520 t	940526201555

Dual Bridge compression load cell PR 6201
OIML R60, accuracy class N=0.06%,
Ex version (520 t L=0.5%)

Type	Load stage	Order number
PR 6201/15NDBE	100 t	940566201155
PR 6201/25NDBE	200 t	940566201255
PR 6201/35NDBE	300 t	940566201355
PR 6201/520tLDBE	520 t	940566201555

Mounting kit PR 6145 without constrainer

Type	Order number
PR 6145/00N	940536145001
PR 6145/00S	940536145002
PR 6145/08N	940536145081
PR 6145/10N	940536145101

MiniFLEXLOCK with integrated constrainer

Type	Order number
PR 6143/00N	940536143001
PR 6143/00S	940536143002
PR 6143/10N	940536143101
PR 6143/10S	940536143102
PR 6143/15N	940536143151
PR 6143/25N	940536143251

Constrainer for compression load cell PR 6201

Type	Order number
PR 6143/80	940536143801
PR 6143/83	940536143831
PR 6143/02	940536152021

Load disc kit for compression load cell PR 6201

Type	Order number
PR 6143/55N	940536143551

Load discs for compression load cell PR 6201

Type	Order number
PR 6143/50N	940536143501
PR 6143/50S	940536143502

Bases for compression load cell PR 6201

Type	Order number
PR 6143/24S	940536143242
PR 6143/54S	940536443542

Fixed bearing	
Type	Order number
PR 6101/53N	940556101531
PR 6101/53S	940556101532
PR 6101/24N	940556101241
PR 6101/24S	940556101242
PR 6101/54N	940556101541
PR 6101/54S	940556101542
PR 6101/15N	940556101151
PR 6101/25N	940556101251
PR 6101/55N	940556101551

Compact mounting kits	
Type	Order number
PR 6001/00N	940536001001
PR 6001/00S	940536001002
PR 6001/01N	940536001011
PR 6001/01S	940536001012
PR 6001/02N	940536001021
PR 6001/03N	940536001031

MaxiFLEXLOCK with integrated constrainer	
Type	Order number
PR 6001/10N	940536001101
PR 6001/10S	940536001102
PR 6001/11N	940536001111
PR 6001/11S	940536001112
PR 6001/20N	940536001201
PR 6001/20S	940536001202
PR 6001/21N	940536001211
PR 6001/21S	940536001212
PR 6001/26N	940536001261

High-load MaxiFLEXLOCK with a permissible horizontal force of 200 kN	
Type	Order number
PR 6001/30N	940536001301
PR 6001/31N	940536001311
PR 6001/32N	940536001321
PR 6001/33N	940536001331

Seismic Mount for compression load cell PR 6201	
Type	Order number
PR 6144/54N	940536144541
PR 6144/15N	940536144151
PR 6144/35N	940536144351
PR 6144/55N	940536144551

Weld-on plate kits	
Type	Order number
PR 6001/90N	940536001901
PR 6001/90S	940536001902
PR 6001/91N	940536001911
PR 6001/91S	940536001912
PR 6001/92N	940536001921
PR 6001/92S	940536001922
PR 6001/96N	940536001961
PR 6001/98N	940536001981

The products and solutions presented in this data sheet make major contributions in the following sectors:



Food and beverages



Chemistry



Agribusiness



Building materials



Machinery (OEM)

The technical data given serves as a product description only and should not be understood as guaranteed properties in the legal sense.

Specifications subject to change without notice.
Rev. 06/2020_intern

Minebea Intec GmbH
 Meiendorfer Straße 205 A
 22145 Hamburg, Germany
 Phone +49.40.67960.303
 sales.hh@minebea-intec.com
 www.minebea-intec.com